

Technical Specifications

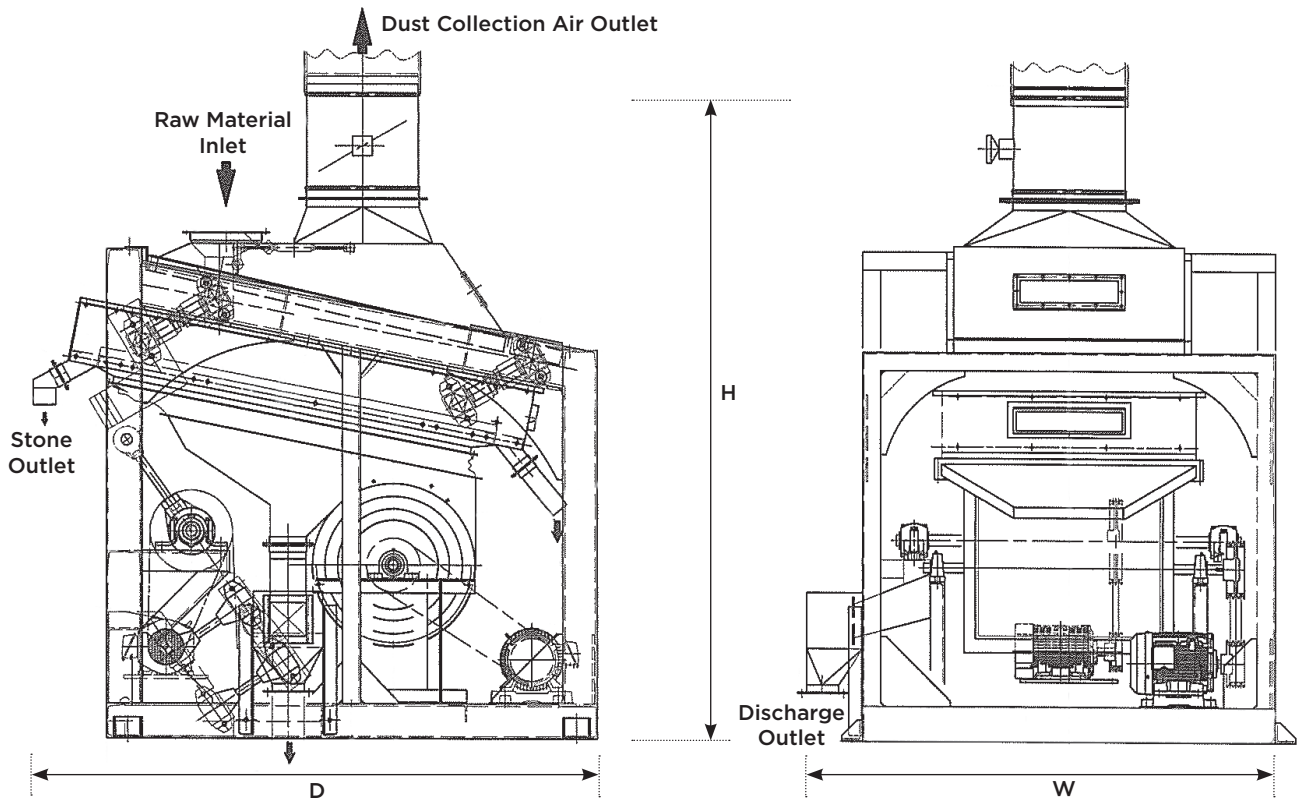
Type: De-Stoner Model: DS

Description

DS Model de-stoners offer exceptional precision in removing stones and heavy impurities from grains and other dry bulk materials. The airflow from the bottom of the deck lifts materials consistently, which is key for precision cleaning. Additionally, the top duct captures dust, helping to keep the workplace clean. Highly recommended equipment for markets sensitive to even the smallest stone contamination.

Features

- Proven **durability** from the long history of sales
- **Full dust containment hood** keeps workplace clean
- High capacity in a compact size
- Evenly distributed air ensures **consistent precision cleaning**
- **Custom decks designed to perform best** on every type of material (Sort Test is available per request.)



Model	Motor and Air Requirement	Cleaning Capacity*	Dimensions (DxHxW)
DS-10	Deck Motor 1 HP 6p (0.75kw) Fan Motor 5 HP 4P (3.7kw) 3 phase 220V 60 Hz Sucking Air Requirement: 120m ³ /min(4238ft ³ /min)	370 - 550 bushel/hour 10 - 15 mt/hour	79 x 92 x 66 (inch) 2009 x 2342 x 1677 (mm)
DS-25	Deck Motor 2 HP 6p (1.5kw) Fan Motor 10 HP 4P (7.5kw) 3 phase 220V 60 Hz Sucking Air Requirement: 240m ³ /min (8476ft ³ /min)	740 - 920 bushel/hour 20 - 25 mt/hour	79 x 92 x 109 (inch) 2009 x 2342 x 2783 (mm)

*Capacity varies depending on the materials and targets for cleaning.

Precision and Quality from Japan



1375 E.Woodfield Rd, Ste 250 • Schaumburg IL 60173
 630-912-2150 • www.usnisshinsk.com
 North American distributor for Harada Sangyo equipment.